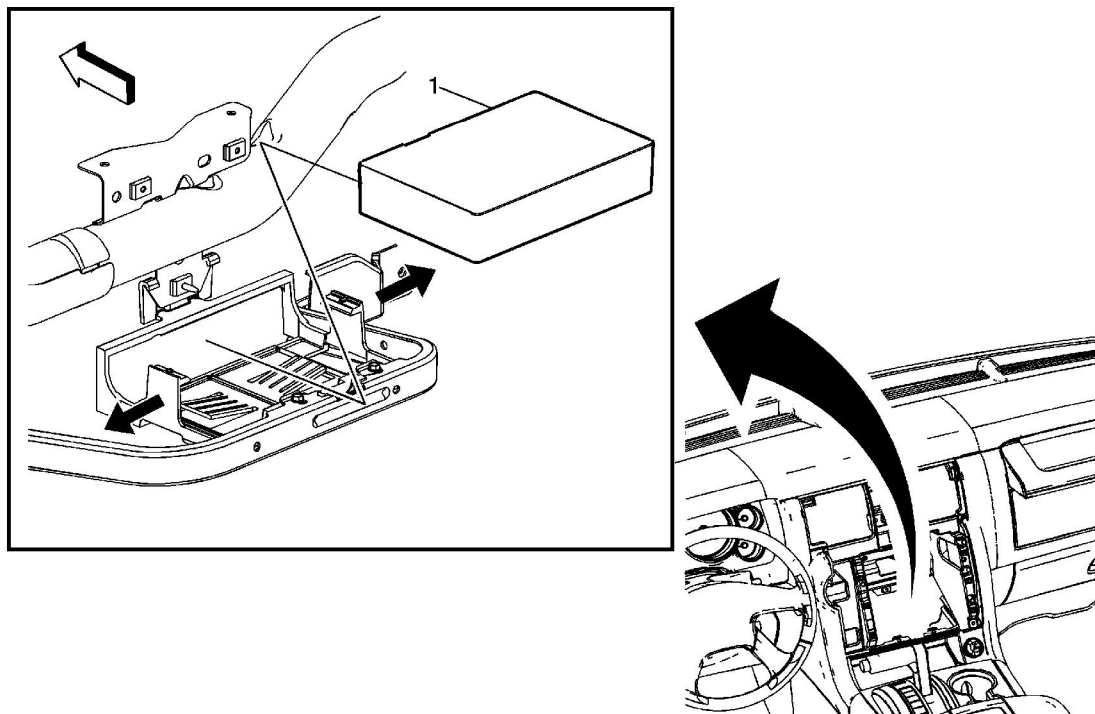


Communication Interface Module Replacement



Callout	Component Name
<p>Preliminary Procedure</p> <p>Remove the radio. Refer to Radio Replacement.</p>	
<p>1</p>	<p>Communication Interface with Mobile Telephone Transceiver Module</p> <p>Procedure</p> <ol style="list-style-type: none"> 1. Push outward on the two tabs to release the communication interface module from the bracket. 2. Disconnect the electrical connectors. 3. Reprogram the communication interface module after replacement. Refer to Control Module References. 4. When replacing the communication interface module be sure to transfer Bluetooth Antenna, if equipped.